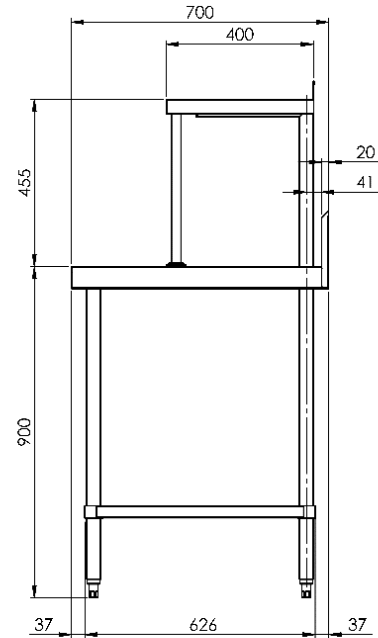




SIMPLY
STAINLESS
www.simplystainless.com



700 series depth indicated above

SPECIFICATION	
Tops	High quality 304 grade stainless steel 1.0mm gauge, no. 4 finish, 100mm upstand (150mm bevelled upstand on 700 series), studs under for accessories
Top hat channel	Reinforcing Channel made from 1.0mm stainless steel
Frames	38mm round stainless steel tube, satin polished, machined collars, adjustable bullet feet, front legs on overself are 25mm round polished tube and are removable if necessary (not to be removed on Blueseal and Waldorf benches)
Undershelves	1.0mm gauge, high quality stainless steel, no. 4 finish, top hat stiffening with channels

IND - 18	SALAMANDER BENCH	
	Product Code	Dimensions
	IND -18.6.0900	900mm x 600mm x 900mm
	IND -18.7.0900	900mm x 700mm x 900mm (150mm upstand)